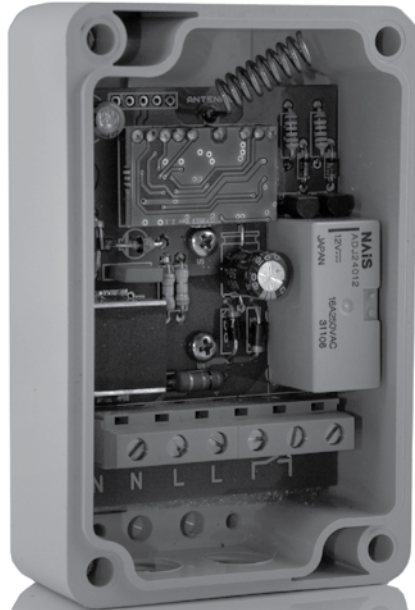


ICY



ICY3512IN

Power Switch

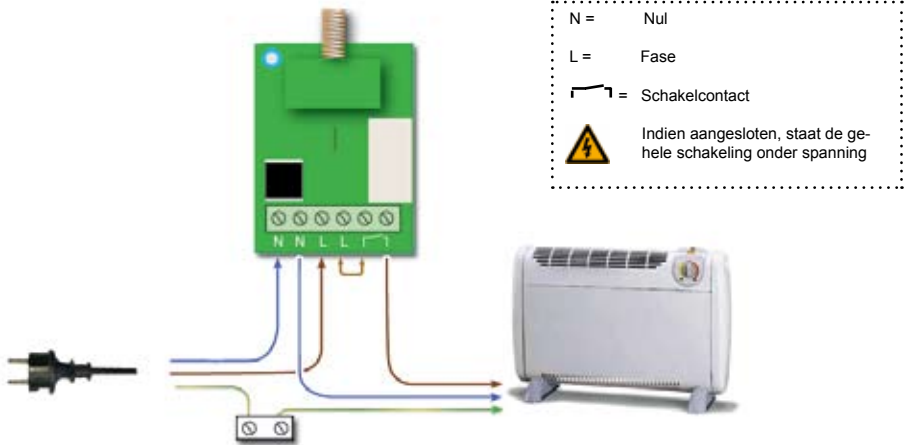
User Manual

and installation guide

Introductie

The Power Switch enables wireless control of the heater. It forms the link between the thermostat and the heater.

Installation with electric heater



1. **Unplug the heater from the electrical outlet.**
2. Determine where the Power Switch is placed and cut the electric heater's cord at that place.
3. Unscrew the cover of the Power Switch and connect the wires as follows to:

Warning! The wire that is used should be at least 1.5 mm²

4. Strip both sides of the cord so that +/- 6mm of the electrical wire is exposed.
5. Use brass wire ends.

The side with the plug.

- Connect the "nil wire" to the first terminal where "N" is listed below.
- Connect the "phase wire" to the first terminal where "L" is listed below.
- Connect the "ground wire" to the terminal of a loose cable connector (this is not included).

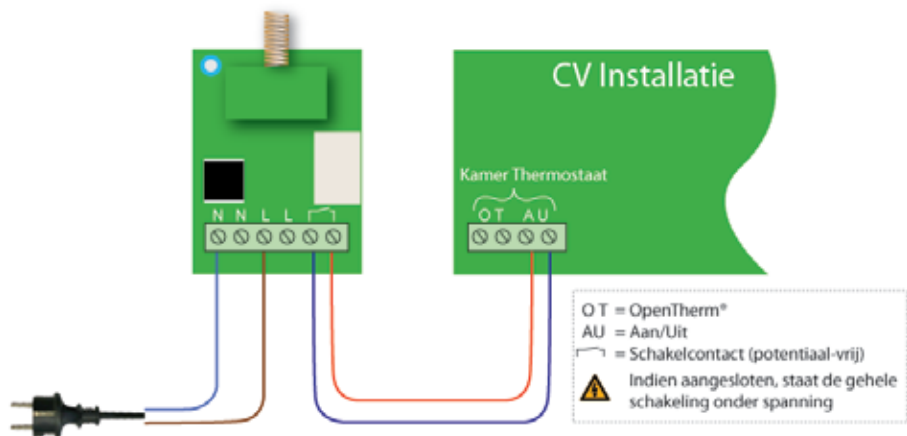
Connect with a wire the terminal where the second "L" is listed to the first terminal of the switch contact.

Heater side

- connect the “nil wire” to the second terminal where “N” is listed below.
 - connect the “phase wire” to the second terminal of the switch contact.
 - connect the “ground wire” to the other end of the loose cable connector.
6. Screw the cover of the Power Switch back on.

Installation for central heating

1. Unplug the heater from the wall outlet.
2. Unscrew the cover of the Power Switch and connect the wiring as follows:



The side with the plug

- connect the “nil wire” to the first terminal where the “N” is listed below.
- connect the “phase wire” to the first terminal where “L” is listed below.

Heater side

- connect the thermostat wires onto the Power Switch and onto the switch contact.
- connect the thermostat wires of the central heating onto the contacts for the on/off switch.

The switch contact is a non-polarity switch and can switch up to a maximum of 16A/230V.

© I.C.Y. B.V.
service@icy.nl
www.icy.nl

2011-1